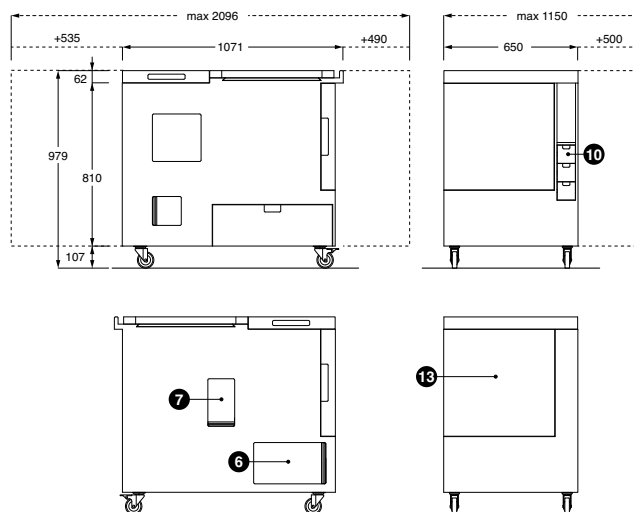
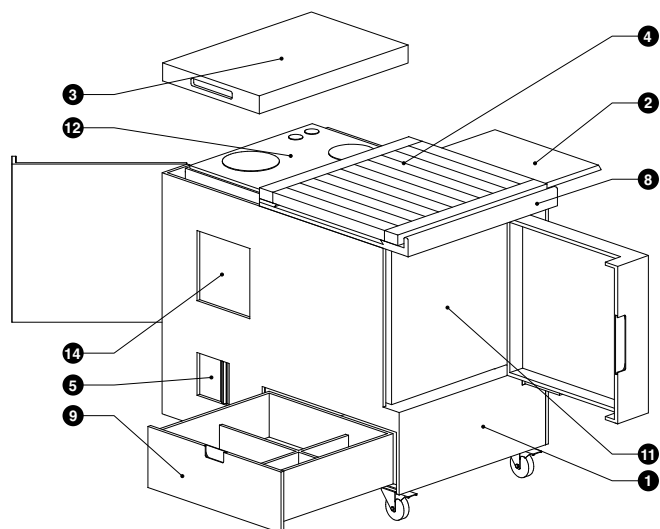


MINIKITCHEN



MINIKITCHEN



1. Structure on wheels
2. Pull-out top
3. Cooking plate covering tray
4. Chopping board in Iroko
5. Sliding flap
6. Pot-holder compartment with sliding small door in painted aluminium
7. Sliding flap for compartment with main switch + sockets for small electrical appliances
8. Handle
9. Larder pull-out drawer
10. Cutlery drawers
11. Refrigerator, 60 litres
12. Electrical cooking plate
13. Unit with door and shelf
14. Open-faced unit for bottles