

K 5



Kitchen composed by 2 blocks, with laterally sliding worktop.
Kitchen block with WASHING area: equipped with upper sliding worktop (it slides sideways) and fixed working surface (under the sliding top).
It is completed by under-sink base units, door for dishwasher and storage base unit (only for L 2400 mm).
The sliding worktop allows to create a protruding dining/snack bar table and at the same time, once closed, conceals the washing area.
STORAGE /COOKING KITCHEN BLOCK:
Equipped with upper fixed working surface and storage base units.
Front panels WITHOUT HANDLE: The fronts are opened through the bevelled edge at the top of the door.

Block dimensions:

COOKING / STORAGE area with fixed working surface > L 1270 / 1870 mm - P 970 mm - H 955 mm
WASHING area with sliding worktop > L 1860 / 2460 mm (with open sliding worktop: 2885 / 3832 mm) - P 970 mm - H 955 mm

Units

Bearing structures composed by frames in extruded aluminium profiles, covered by 19 mm. board particle panels, waterproof, with low formaldehyde emission (class E1, CARB P2 / TSCA Title VI certified), treated with high performance melamine resin.
FINISHES: aluminium + melamine.
COLOURS: grey-graphite oak.

Doors and front panels

Thickness: 23 mm, with upper bevelled edge used for gripping the door.
FINISHES: Wood - Stainless Steel - Corian®.
COLOURS: WOOD > Ecowood Xilo 2.0 Planked Sand (18.22) / Ecowood Xilo 2.0 Planked Grey (18.23) / Ecowood Xilo 2.0 Striped Black (18.04).
STAINLESS STEEL> Matt satin stainless steel / O-Steel.
CORIAN® > white.

Interior fixed working surface

In brushed stainless steel sheet and with welded sink.
It's possible to equip the back area of a sink with a welded section (optional).
FINISHES: Stainless steel
COLOURS: STAINLESS STEEL > matt satin stainless steel / O_Steel.

Exterior sliding worktop

It is equipped with a specific mechanism, allowing to slide a worktop sideways.
Equipped with locking system.
FINISHES: Stainless steel / Corian® / Wood veneer with stainless steel edge.
COLOURS: WOOD (st. steel edge) > Ecowood Xilo 2.0 Planked Sand (18.22) / Ecowood Xilo 2.0 Planked Grey (18.23) / Ecowood Xilo 2.0 Striped Black (18.04).
STAINLESS STEEL> Matt satin stainless steel / O-Steel.
CORIAN® > white.

Exterior fixed working surface / hob

FINISHES: Stainless steel - Corian®.
COLOURS: STAINLESS STEEL > matt satin stainless steel / O_Steel.
CORIAN® > white.

Accessories

Available accessories: cutting boards and drain-grids for sink or back section, small container for equipped back section, dustbin kit for under-sink pull-out base units, INSIDE wooden accessories for drawers.

Packaging and Shipping

Each kitchen block will be shipped disassembled.
The STORAGE / COOKING kitchen block will be shipped in 2 packages.
The kitchen block with WASHING area with SLIDING worktop will be shipped in 4

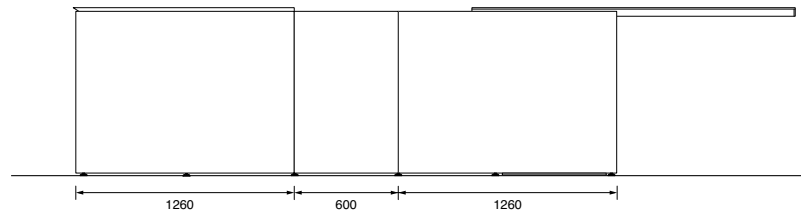
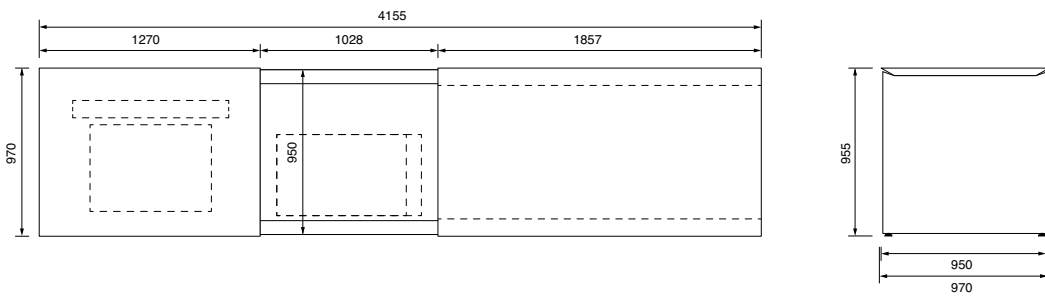
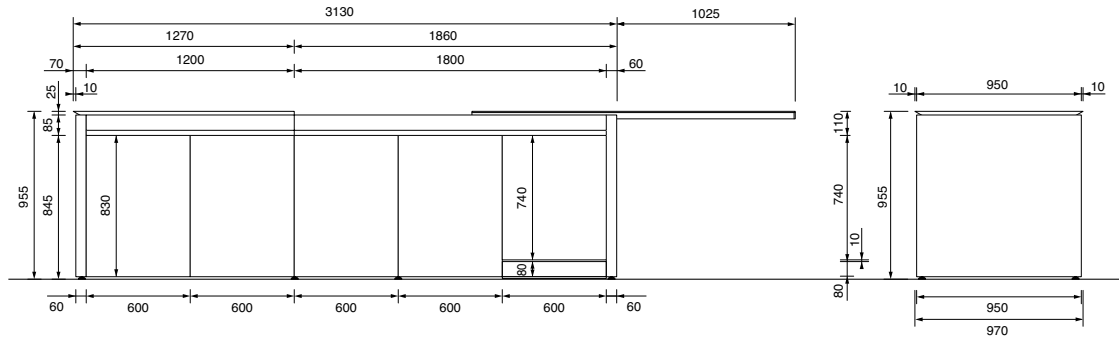
K 5

TECHNICAL DETAILS

CUSTOMISATIONS ARE NOT AVAILABLE.

Compositions with elements in MATT SATIN STAINLESS STEEL used next to elements in O_STEEL are NOT FEASIBLE.

STORAGE /COOKING KITCHEN BLOCK L 1200 mm + WASHING AREA L 1800 mm.



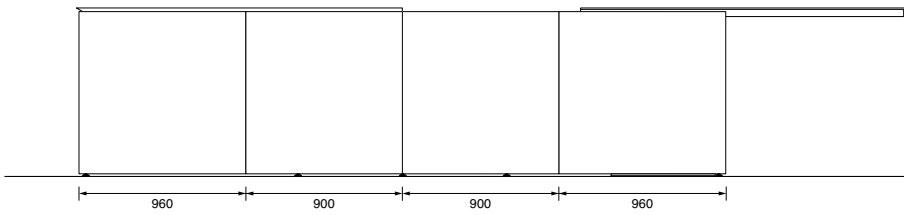
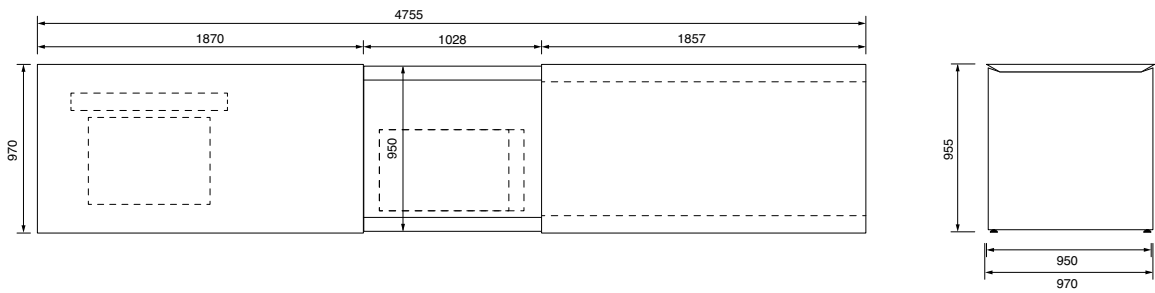
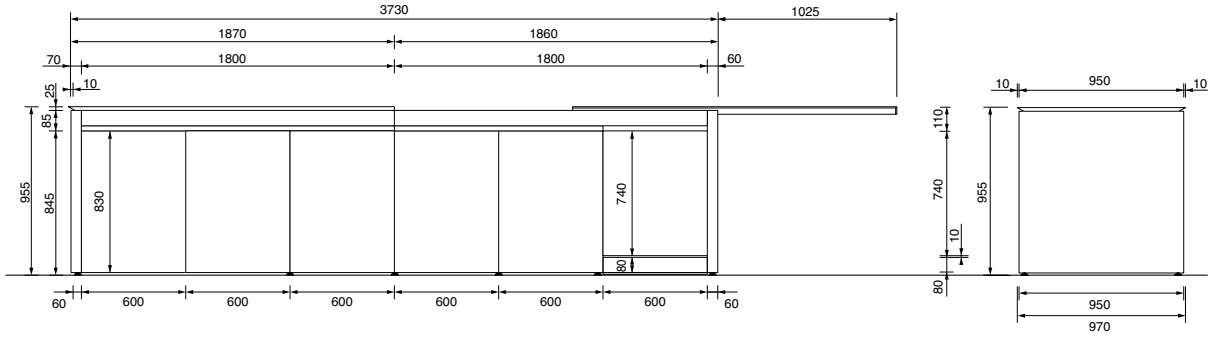
K 5

TECHNICAL DETAILS

CUSTOMISATIONS ARE NOT AVAILABLE.

Compositions with elements in MATT SATIN STAINLESS STEEL used next to elements in O_STEEL are NOT FEASIBLE.

STORAGE /COOKING KITCHEN BLOCK L 1800 mm + WASHING AREA L 1800 mm.



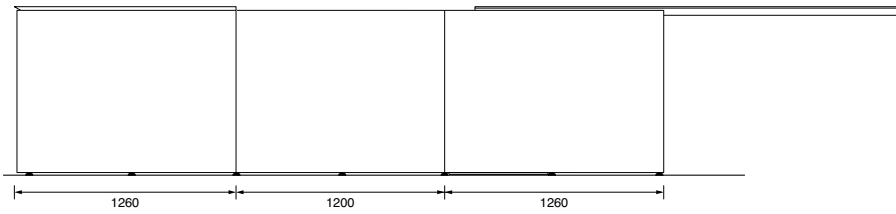
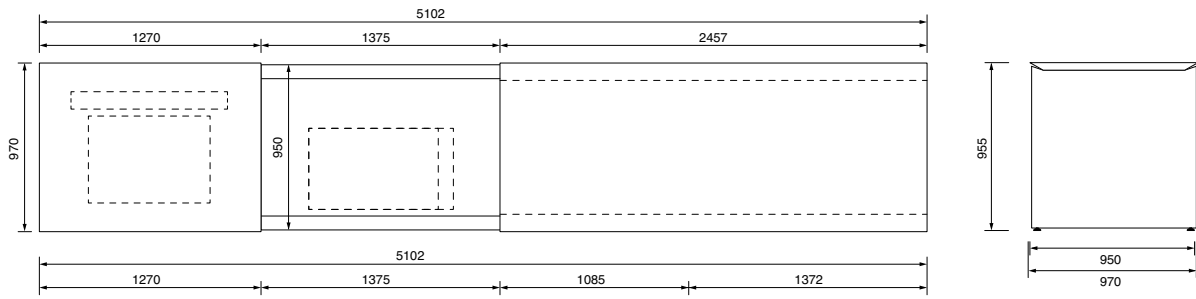
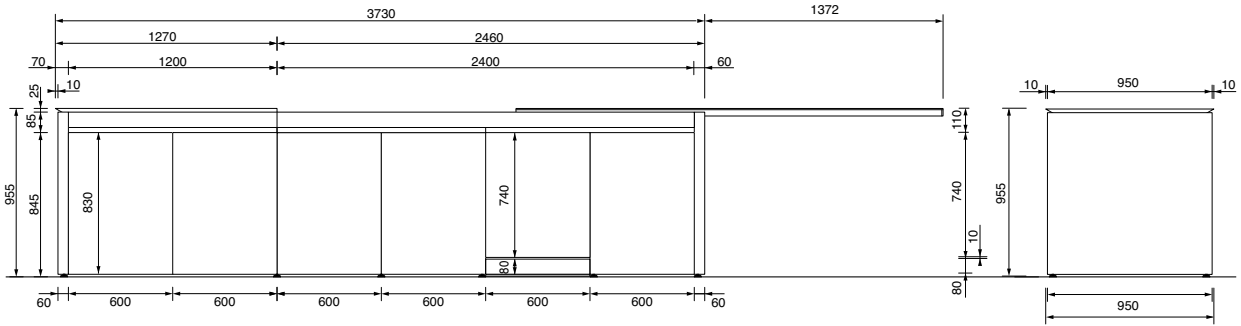
K 5

TECHNICAL DETAILS

CUSTOMISATIONS ARE NOT AVAILABLE.

Compositions with elements in MATT SATIN STAINLESS STEEL used next to elements in O_STEEL are NOT FEASIBLE.

STORAGE /COOKING KITCHEN BLOCK L 1200 mm + WASHING AREA L 2400 mm.



K 5

TECHNICAL DETAILS

CUSTOMISATIONS ARE NOT AVAILABLE.

Compositions with elements in MATT SATIN STAINLESS STEEL used next to elements in O_STEEL are NOT FEASIBLE.

STORAGE / COOKING KITCHEN BLOCK L 1800 mm + WASHING AREA L 2400 mm.

